

Mason's Training Programme on Onsite Treatment Systems: Activity Sheet

November 18, 2016

TECHNICAL SUPPORT UNIT:

iihs TM
INDIAN INSTITUTE FOR
HUMAN SETTLEMENTS

IN ASSOCIATION WITH:



 **Keystone**

 Consortium for
DEWATS
Dissemination
Society

Activity Sheet 01 - Septic Tank

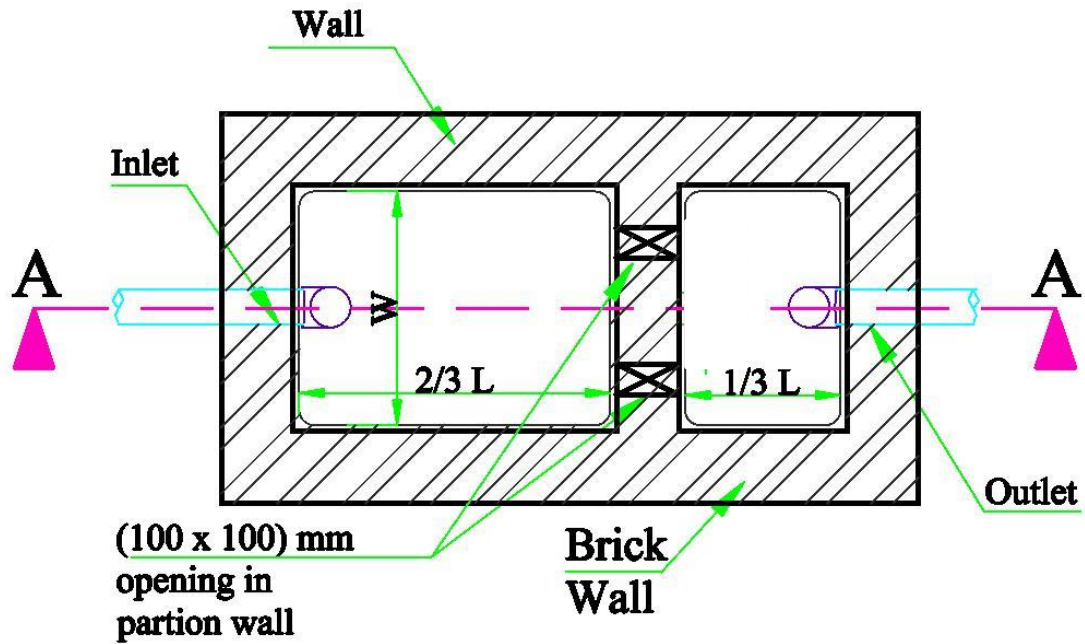


Figure 1: Septic Tank plan

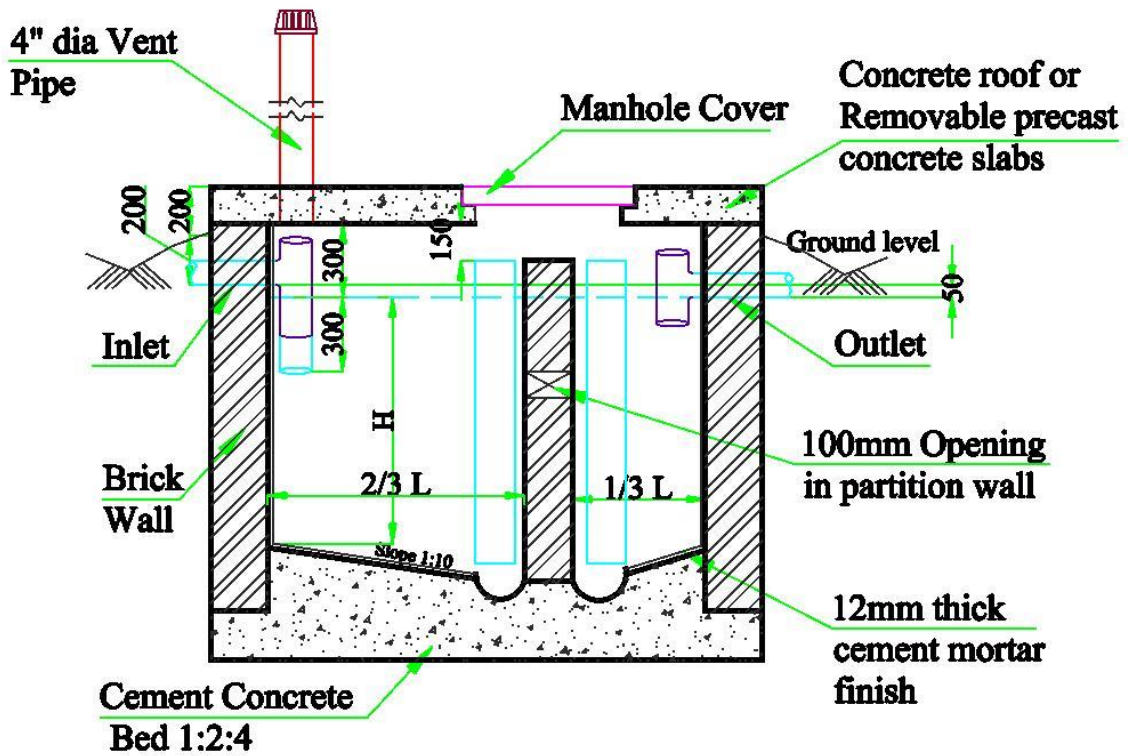


Figure 2: Septic Tank section



Resources for 5 users				
Resources	Units	Septic Tank	Cost	Amount
Bricks				
Cement				
Sand				
Steel				
Pipes				
Gravel				

Manpower days required:

Equipment's required:

Activity Sheet 02 – Twin Pit with Register

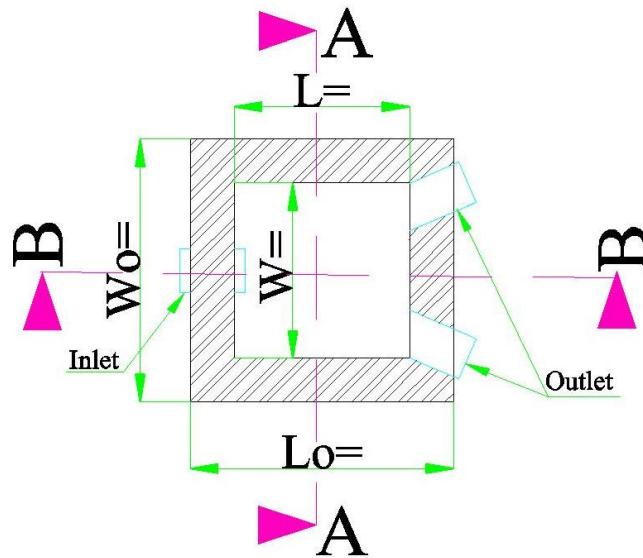
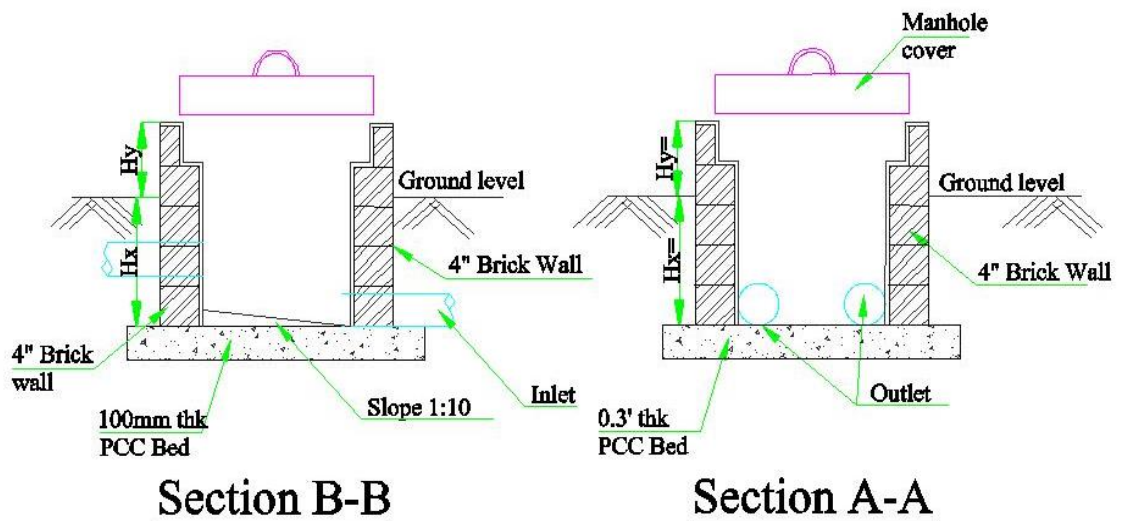


Figure 3: Register for Twin pit



Section B-B

Section A-A

Figure 4: Twin Pit

Resources for 5 users				
Resources	Units	Twin Pit Register	Twin Pit	Cost
Bricks				
Cement				
Sand				
Steel				
Pipes				
Gravel				



Manpower days required:

Equipment's required: