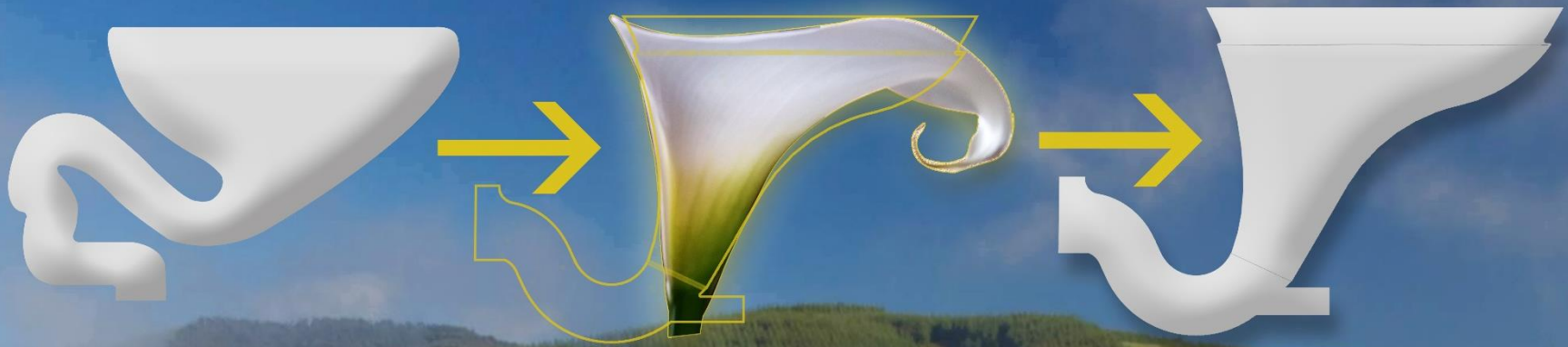


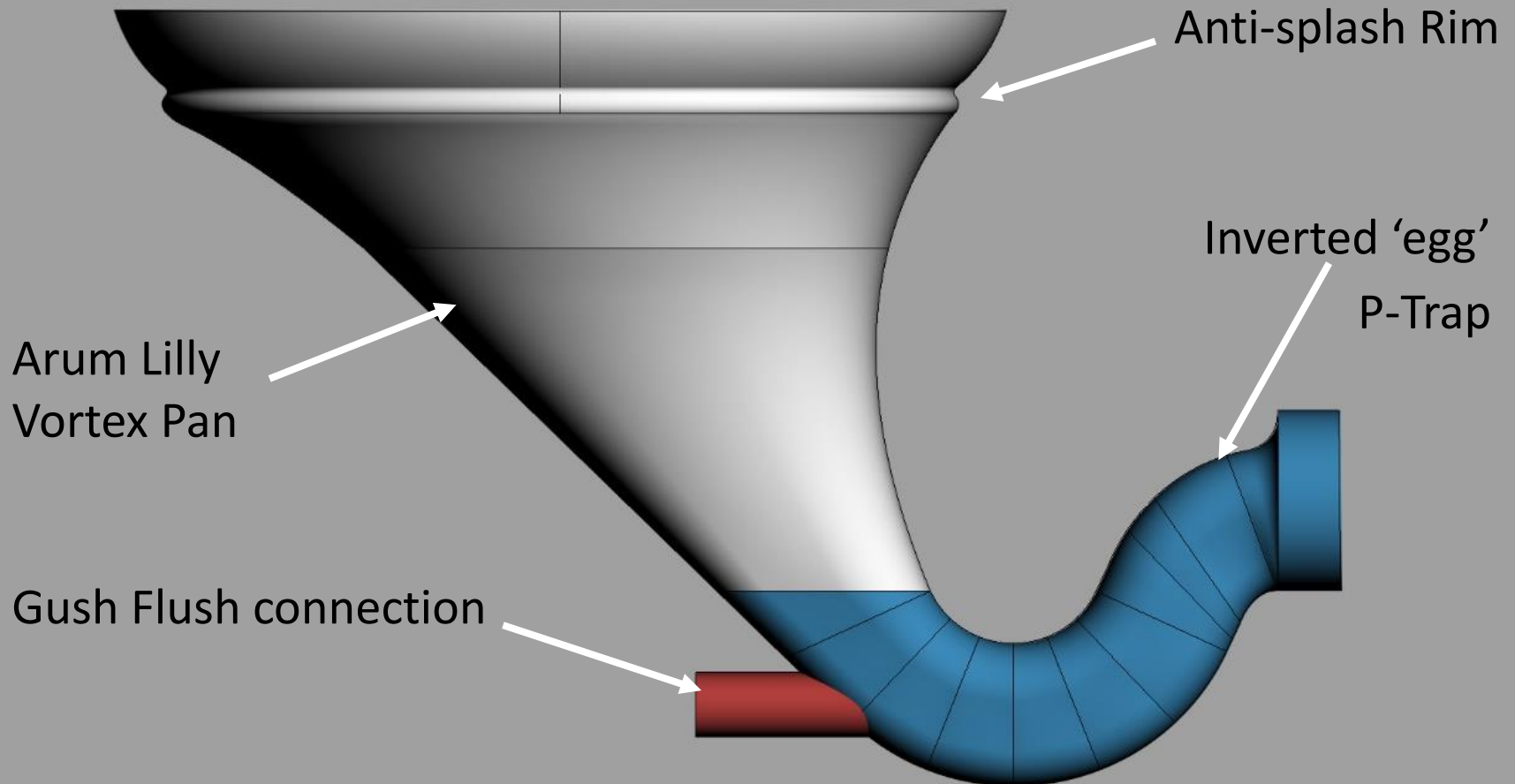
## The Evolution of the Flush Toilet



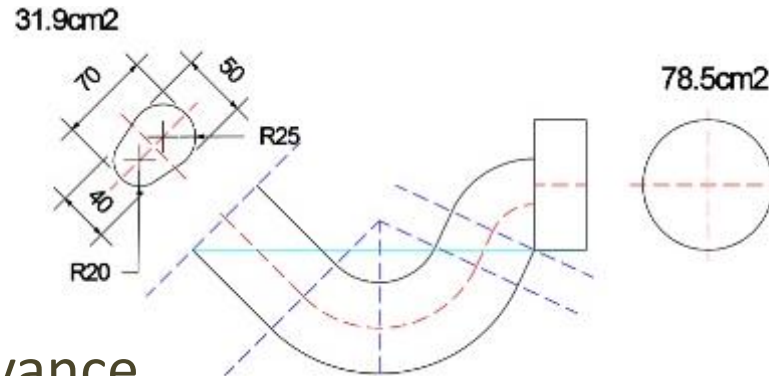
...when nature calls.



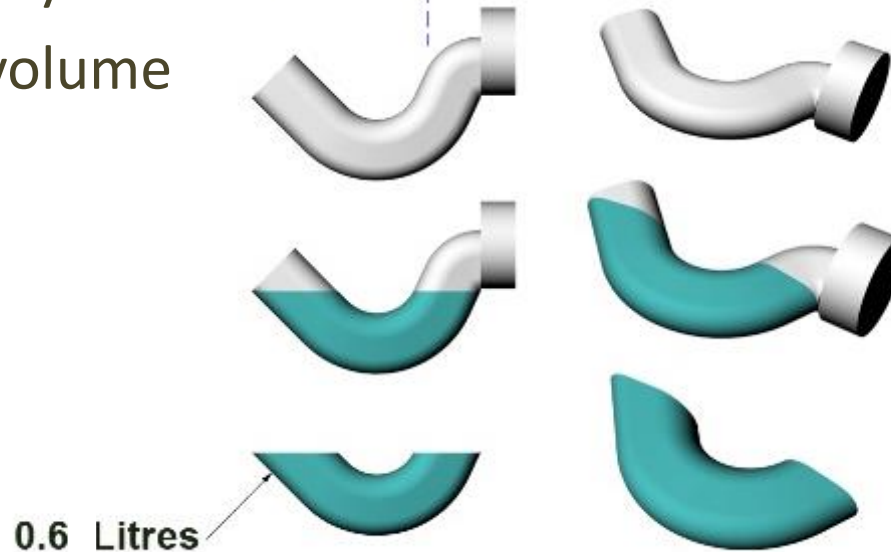
## COMPONENTS



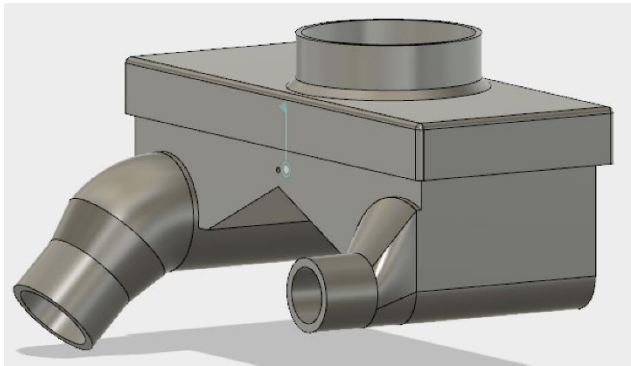
## P - TRAP DESIGN



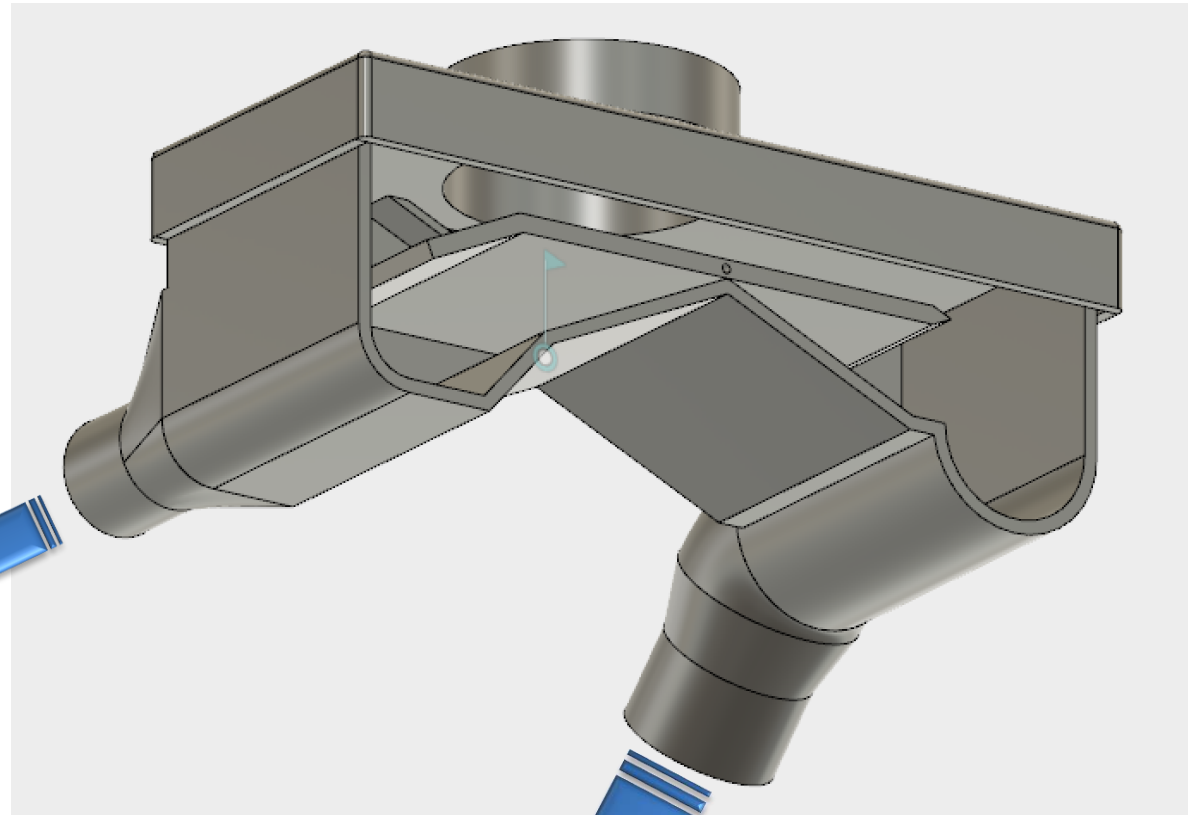
Improved solids conveyance  
Reduced water seal volume



## FLUSH MECHANISM



**VORTEX (300ml)**



**GUSH (700ml)**

## OPERATION - FULL CISTERN

**Step 1 –**  
**Cistern full to provide controlled pressure for improved flush performance**

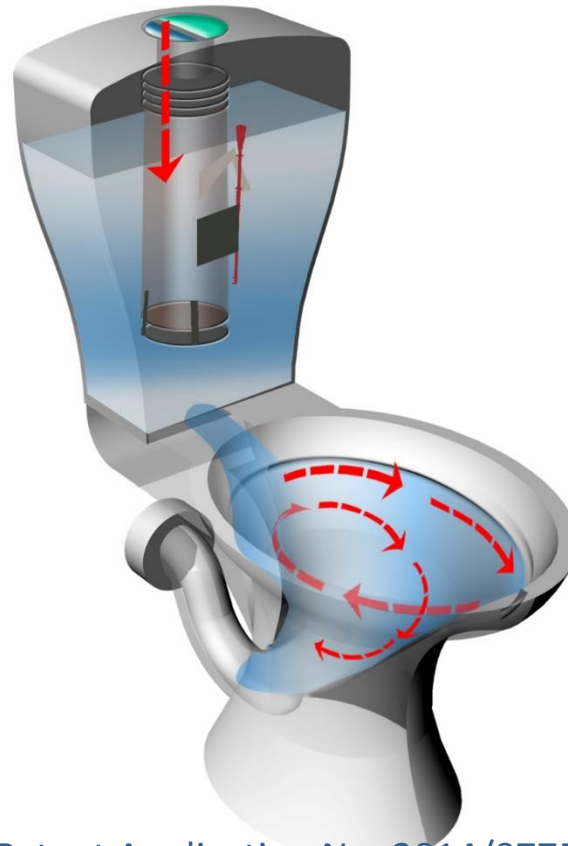


RSA Patent Application No. 2014/07754

## OPERATION - VORTEX PAN FLUSH

### Step 2 –

**Button 1** (of dual flush mechanism) pressed to release small volume of water to flow in vortex around the pan with increased velocity towards the centre.

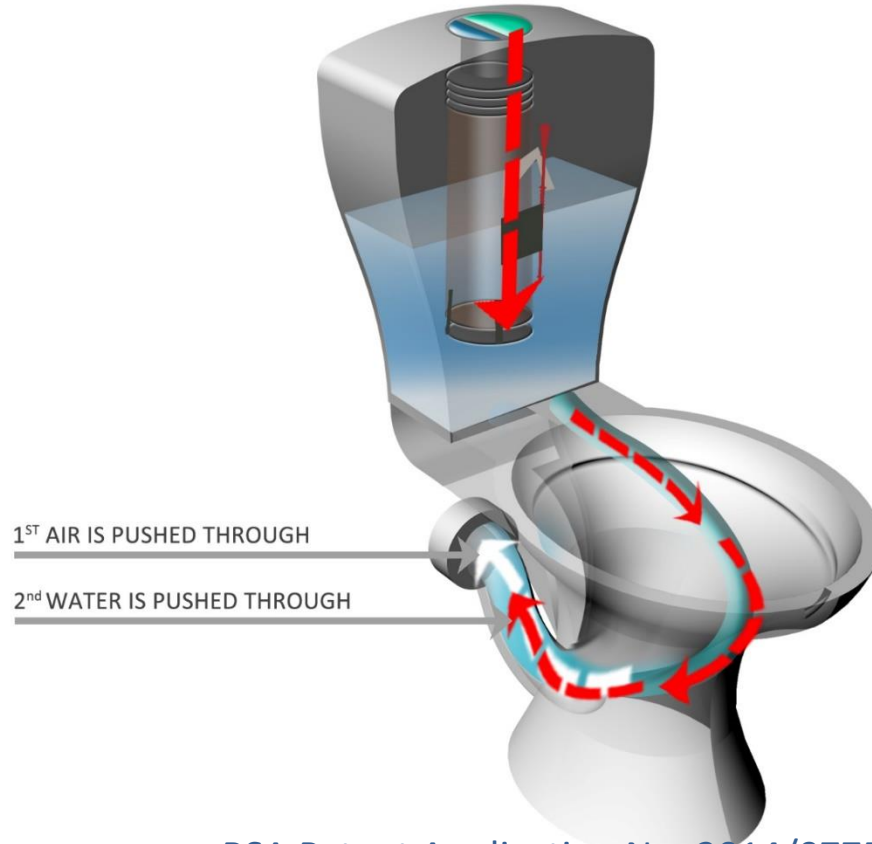


RSA Patent Application No. 2014/07754

## OPERATION - GUSH FLUSH

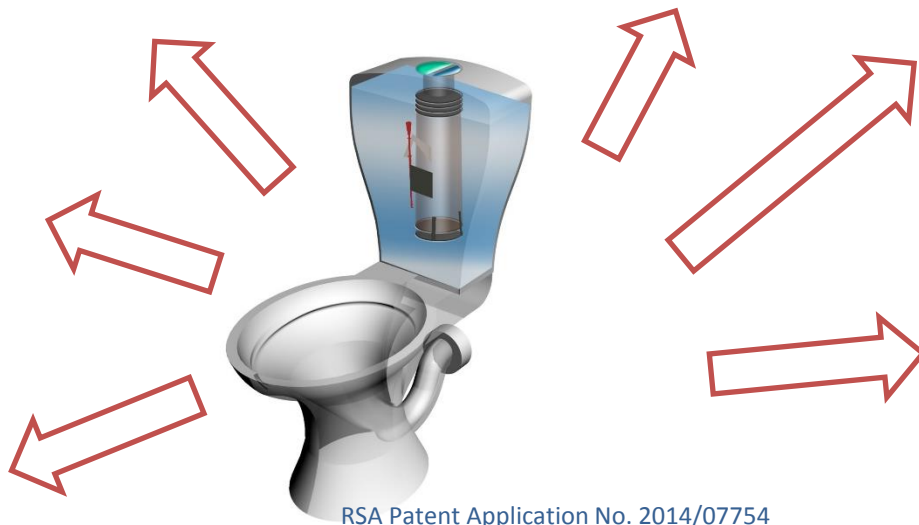
### Step 3 –

**Button 2** (of dual flush mechanism) pressed to release water into the gush outlet pipe. First the column of air is pushed into the P-Trap to start to clear the water. Then the water pushes the remainder of the waste and replenishes the water seal.



RSA Patent Application No. 2014/07754

## MULTIPLE DOWNSTREAM CONNECTION OPTIONS







 **ARUMLOO**  
The MicroFlush Toilet

**Isidima**   
design and development 

# THE ECOLUTION OF THE FLUSH TOILET



[www.arumloo.com](http://www.arumloo.com)



RSA Patent Application No. 2014/07754